

HDD Media Player

User's Manual



Key Features

- n Video media: VCD,DVD, MPEG1/2/4, DIVX3.X-5.X
- n Audio media:MP3
- n image media:JPEG,BMP,GIF
- n File Formats:AVI, ASF, VOB, DAT, MP4, MPG
- n Supports IDE 133 HDD storage capacity up to 500GB
- n File System:FAT32, NTFS
- n Supports Music/Photo Slide Show and .lrc MP3 lyric display
- n Subtitle Support:smi,sub,srt,txt,psb,ass,ssa
- n Supports files copy,rename,delete
- n Supports multi language
- n Audio out: Stereo 2 Ch (RCA)
- n Video out: Composite (RCA)/S-Video/VGA, NTSC/PAL
- n 480Mbps high-speed USB 2.0
- n Supports Windows ME/XP/98, OS-9/X, Linux
- n Supports software firmware upgrade online
- n Remote control and Panel button control
- n Fan cooler inside and LCD display
- n One button backup
- n Power:100~240V AC IN;5.5V/2A 12V/2A DC OUT

Product Specifications

Product Name	DivX Media Player(306TV)
Dimension	206 x 116 x 40 mm
OS	Windows 98/98SE/2000/ME/XP, Mac, Linux
PC Interface	480Mbps USB 2.0 high-speed
HDD Type	3.5" IDE HDD
HDD File System	FAT32, NTFS
HDD MEMORY	1 – 500 GB
TV Type	NTSC, PAL
Video Formats	DVD, MPEG1-4, DivX , VCD
Audio Formats	MP3 and .lrc MP3 lyric display
Photo Formats	JPEG,BMP,GIF
File Formats	AVI, ASF, VOB, DAT, MP4, MPG
Video Output	Composite (RCA)/S-Video/VGA
Audio Output	Stereo 2 Ch (RCA)
Video Noise Ratio	> 56dB
Audio Noise Ratio	> 85dB
Working Temperature	0° C ~ 55° C
Working Humidity	10%~75%
Power Supply	AC IN 100~240V; DC OUT 5.5V/2A 12V/2A

Cautions Before Starting Installation

We strongly recommend you read below cautions before starting installation

- ^a Please carefully read and follow instructions in this User's Guide
- ^a Please use the supplied AC power adapter, all video/audio cables and USB cable with DivX Player when purchase
- ^a We strongly recommend you to backup existing data inside 3.5" HDD to another safe area before starting installation. We are not responsible for any data damage/loss during installation
- ^a DivX Player on USB Enclosure connect to PC need external AC power adapter supply
- ^a DivX Player should set the jumper in Master mode.
- ^a Please don't power off DivX Player while any movie, music or photo is being played or software upgrade is under processing. Unexpected power-off action to DivX Player will cause data loss or a serious system hang-up
- ^a The DivX Player Box is users can unscrew the box and install the hard drive themselves. (Caution: pay attention to the possible damage to the PCB and maker sure to prevent water from getting into the system)
- ^a We strongly recommend to unplug the AC power adapter when you don't use for a long time



Package



Remote



VGA/S-VIDEO



USB



S-VIDEO



A/V



ADAPTER



AC Cable

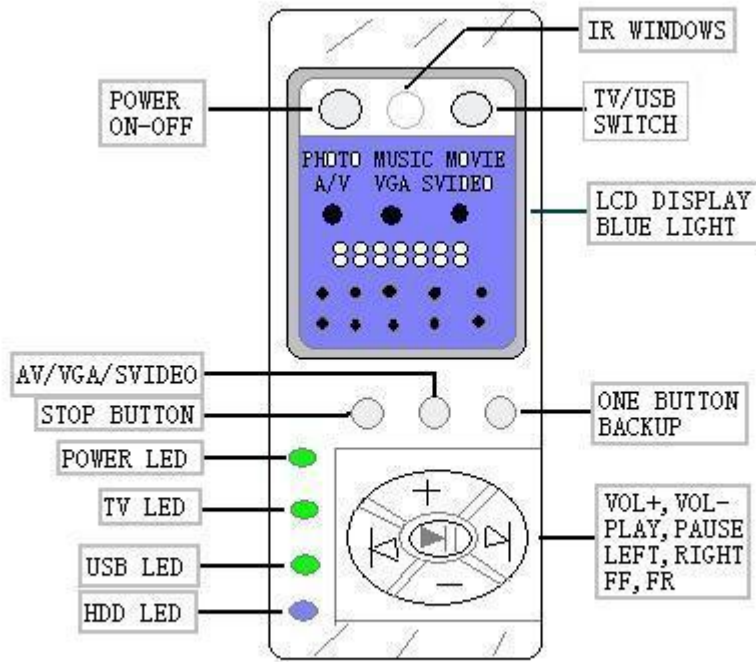


Manual



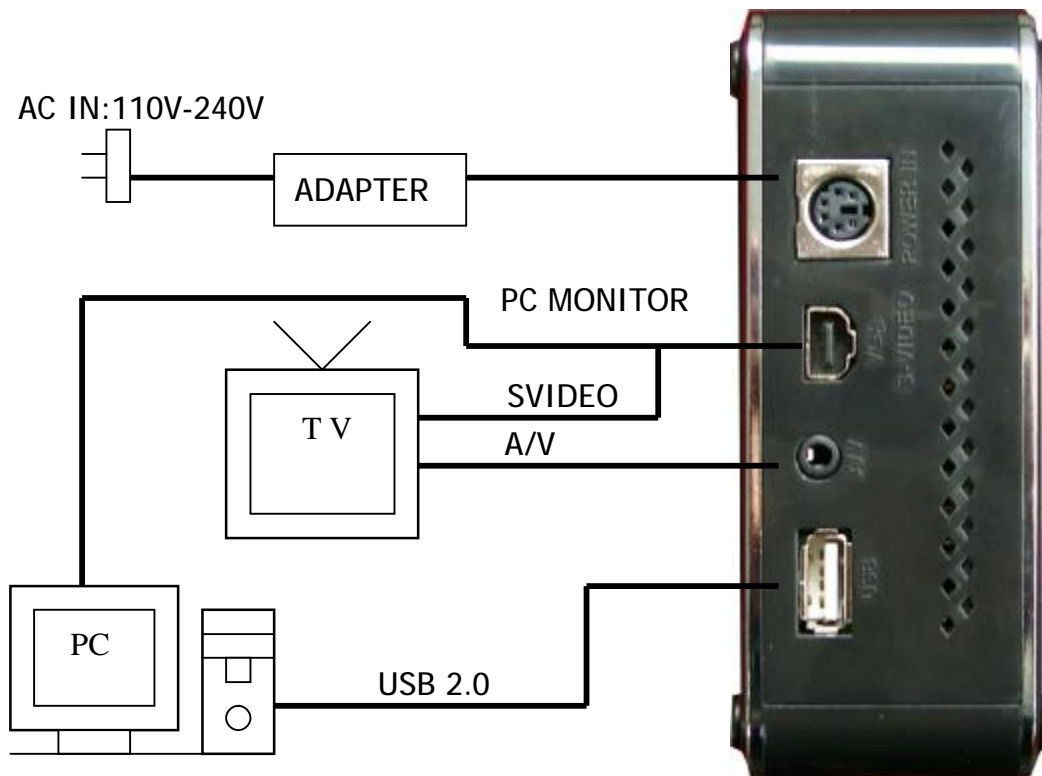
DISK

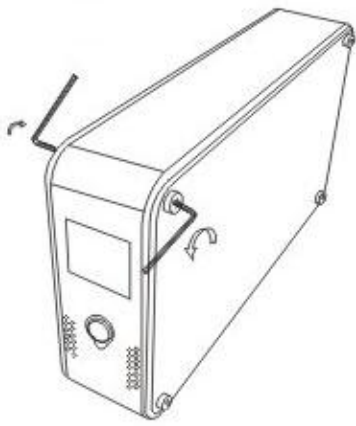
Panel sketch map



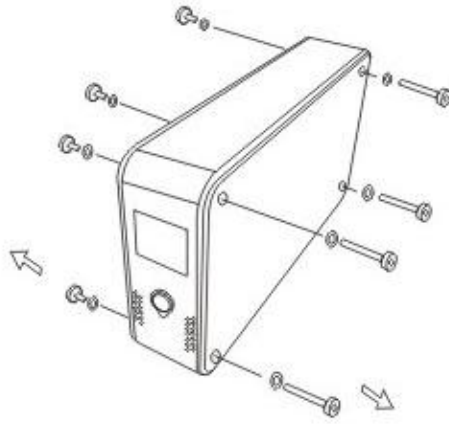
Remark: long time press “stop” key is power off
 long time press “play” key is start photo/music slid show

Explanation of the exterior Appearance

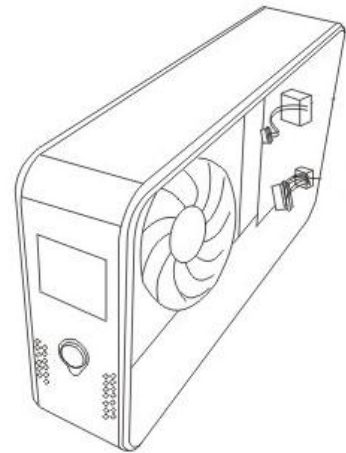




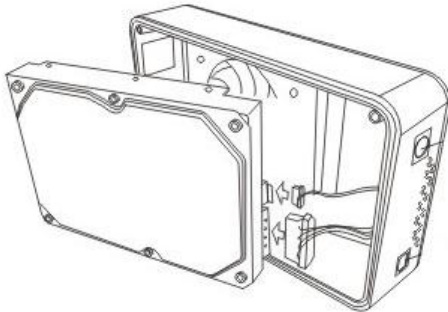
(1)



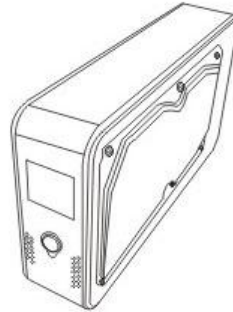
(2)



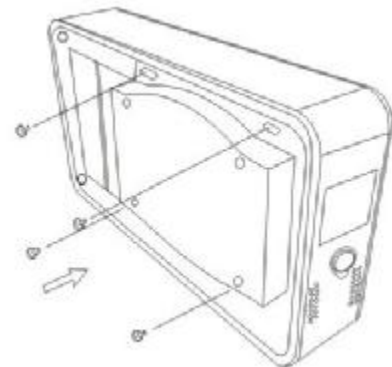
(3)



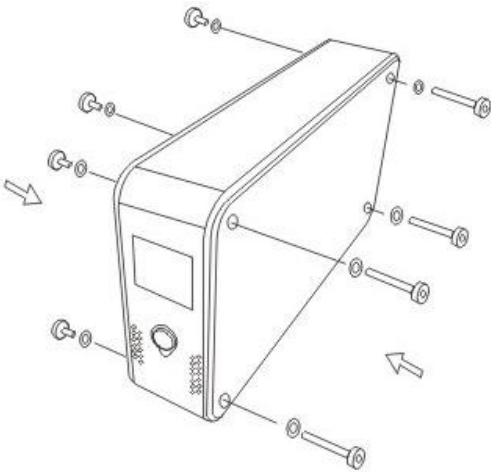
(4)



(5)



(6)



(7)

One button backup

- a Setup one button software in computer
- a Please click "NEXT" and accept prolific setup program
- a Connect usb cable to computer
- a Press Panel "power" and "TV/USB" key
- a Press Panel backup button activation one button software

- a One button software dialog box will display screen
- a Please select path backup new data



Remote Control of DivX Player

- a Connect Video & Audio cables to DivX Player and a TV set
- a Connect the DC power jack of AC power adapter to DivX Player power connector DC IN
- a Plug AC power adapter to a wall power outlet
- a Make sure the TV set is power-PLAY
- a Power on DivX Player by switching the power slide-switch to PLAY position
- a After power-on, DivX Player is under initializing. After couple seconds, a main screen will be appeared on TV set



How to use Remote Control

Remote Control supports several hot-keys and all functions as shown below.



- ^a POWER: power on/off
- ^a SETUP: enter/exit system Setup Menu main page
- ^a MUTE: mute the audio. Disable Mute by pressing again
- ^a VOL +: volume up
- ^a VOL -: volume down
- ^a PLAY/PAUSE: play, pause, or resume a playback
- ^a STOP : stop a playback
- ^a ENTER: confirm selection
- ^a Direction buttons: The Direction buttons for moving up, down, left, right when selecting
- ^a FF: play forward. Press over and over again for faster forward play
- ^a REW: play backward. Press over and over again for faster backward play
- ^a NEXT: go to next movie, music, photo, file or page down
- ^a PREW : go to previous movie, music, photo, file or page up
- ^a PGUP: page up on Photo/Movie Digest or Music/File Library
- ^a PGDN: page down on Photo/Movie Digest or Music/File Library
- ^a V-MODE: switch video output to TV set for composite (RCA), or S-Video or VGA output
- ^a INFO: display help function for how to operate remote control
- ^a SUB-T: select subtitle for movie playback
- ^a MUSIC: go to Music Library and display all music files in library filing style
- ^a PHOTO: go to Photo Digest and display all photo files in thumbnail style
- ^a MOVIE: go to Movie Digest and display all movies files in thumbnail style
- ^a FILE: go to File Library and list all files in directory style
- ^a HOME: go to Home Screen
- ^a M-SLIDE: Initial Music Slide Show mode or add music while photo slide show is being played
- ^a S-TIME: adjust interval time in real time for music/photo slide show
- ^a S-MODE: set 14 kinds of photo transition mode for photo slide show and Music EQ Screen
- ^a REPEAT: set the preferred repeat mode for the playback of movie, music or photo in real time
- ^a ROTATE: rotate a photo 90 degree clockwise and audio left/right ch select
- ^a ZOOM: enlarge (zoom in) a photo up to 4X and use Direction buttons for panning left/right/up/down

capability

^a DISPLAY: Display Photo、Music、Movie Preferences and Music EQ Screen

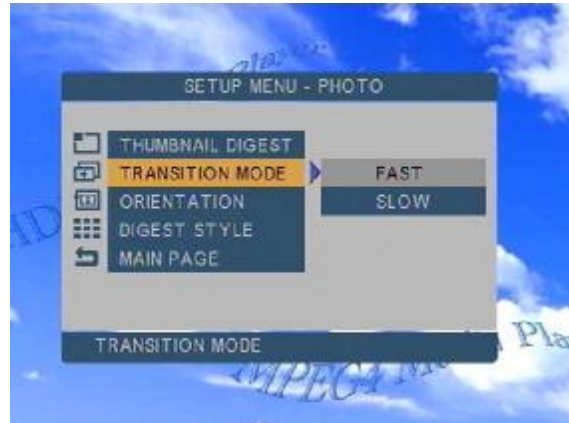
Setup of DivX Player Media Player

When press SETUP button on Remote Control, system Setup Menu main page is shown below. Use Direction buttons to move up and down the selections and press ENTER button to select setting.



Photo Setup

PHOTO SETUP on System Setup Menu select the following selections.



Use Direction buttons to move up and down the selections and press ENTER button to select setting

^a THUMBNAIL DIGEST :

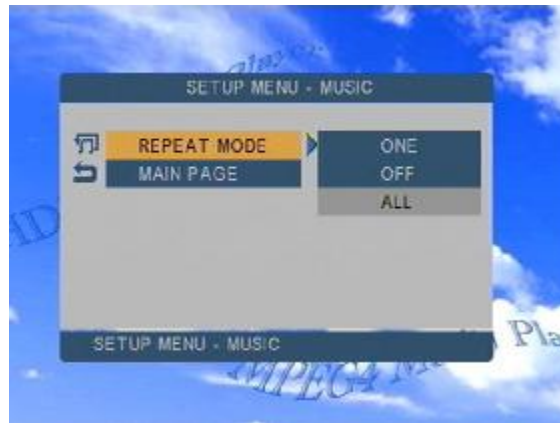
- Selecting ON: will display photo Digests using original Digest files created by the HDD. This process will

make displaying Digests of large photos in a short time on Photo Digest (*factory default mode*)

- Selecting OFF: will display photo Digests by decoding photo and scaling down to fit into the display area allocated for the Digest on Photo Digest. This process may take a longer time if photos are in high resolution (big files)
- ^a TRANSITION MODE: Selecting FAST or SLOW transition time in between two photo displaying or slide show (*factory default mode is FAST*)
- ^a ORIENTATION: Selecting DEFAULT or IGNORE (*factory default mode is DEFAULT*)
- ^a DIGEST STYLE: Selecting photo digest or thumbnail numbers on one Photo Digest by 2x2, 3x3, 4x4 or 5x5 thumbnail (*factory default mode is 3x3 thumbnail*)

Music Setup

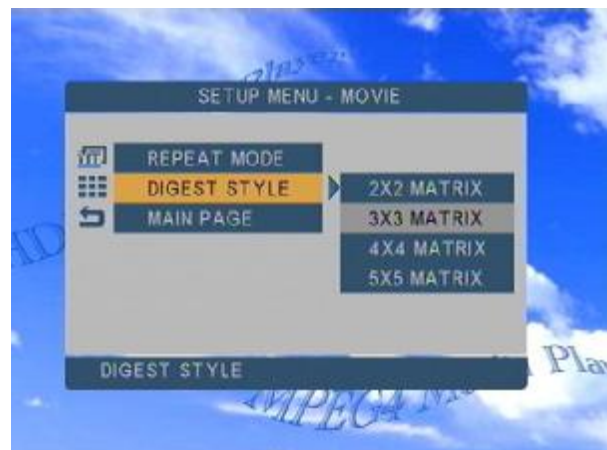
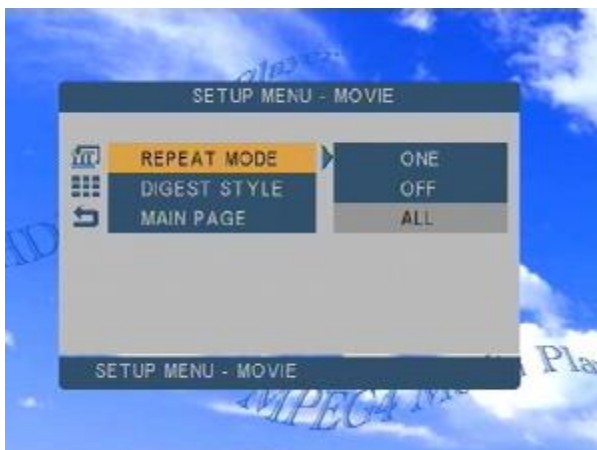
MUSIC SETUP on system Setup Menu select the following selections



- ^a REPEAT MODE:
 - Selecting ONE: will repeat the selected music continuously, until the STOP button is pressed
 - Selecting OFF: will disable the repeat feature
 - Selecting ALL: will repeat all the music in the Music Library continuously, until the STOP button is pressed (*factory default setting*)

Movie Setup

MOVIE SETUP on system Setup Menu select the following selections

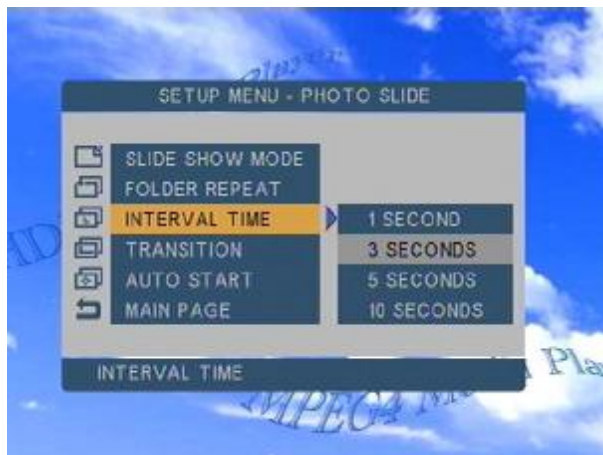


- ^a REPEAT MODE:
 - Selecting ONE: will repeat the selected movie continuously, until the STOP button is pressed
 - Selecting OFF: will disable the repeat feature
 - Selecting ALL: will repeat all the movie in the Movie Digest continuously, until the STOP button is pressed (*factory default setting*)

- ^a DIGEST STYLE: Selecting movie thumbnail numbers on one Movie Digest by 2x2, 3x3, 4x4 or 5x5 thumbnail (*factory default mode is 3x3 thumbnail*)

Slide Show Setup

Slide Show Setup on system Setup Menu selects the following selections.



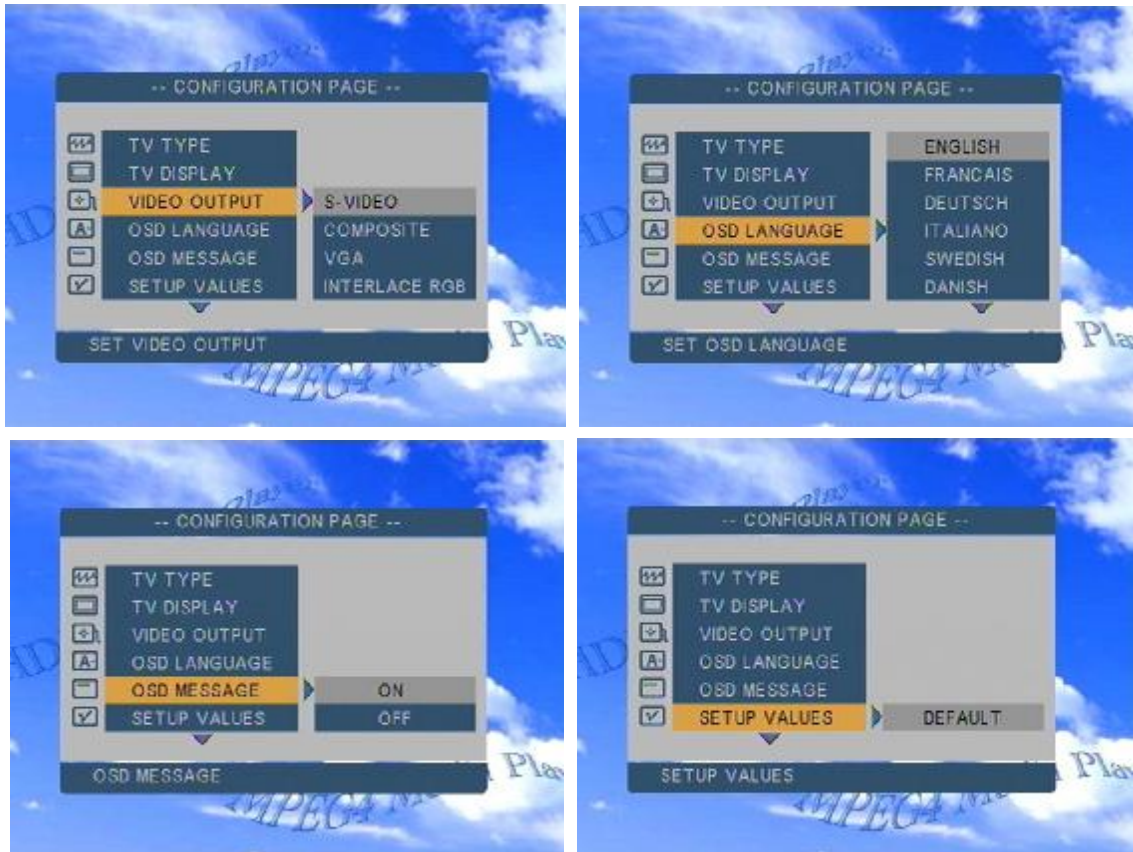
- ^a SLIDE SHOW MODE:
 - Selecting MANUAL: When set slide show mode to MANUAL, photo slide show will be played manually not automatically. It will give full control of the photo slide show timing to user on Photo Digest
 - Selecting AUTO: When set slide show mode to AUTO, it will make photo slide show start automatically after 10 seconds on Photo Digest (*factory default setting*)

- a FOLDER REPEAT:
 - Selecting ON: will turn on the repeat mode immediately until STOP button is pressed (*factory default setting*)
 - Selecting OFF: will turn off the repeat mode
- a INTERVAL TIME:
 - Selecting ONE SECOND: will display the photo for 1 second before switching to next photo during slide show
 - Selecting THREE, FIVE, TEN SECONDS: will display the photo for 3, 5, 10 seconds before switching to next photo, during photo slide show (*factory default setting is THREE SECONDS*)
- a TRANSITION:
 - Selecting FULL SCREEN: will display all photos at once (*factory default mode*)
 - Selecting other modes will display all photos using the following transition chosen
 - 1: FULL SCREEN: Full Screen (at once)
 - 2: TOP \rightarrow BOTTOM: Top-to-Bottom (roll)
 - 3: BOTTOM \rightarrow TOP: Bottom-to-Top (roll)
 - 4: T/B \rightarrow CENTER: Top/Bottom-to-Center (roll)
 - 5: CENTER \rightarrow T/B: Center-to-Top/Bottom (roll)
 - 6: BLIND: T \rightarrow B: Top-to-Bottom (blind)
 - 7: LEFT \rightarrow RIGHT: Left-to-Right (roll)
 - 8: RIGHT \rightarrow LEFT: Right-to-Left (roll)
 - 9: L/R \rightarrow CENTER: Left/Right-to-Center (roll)
 - 10: CENTER \rightarrow L/R: Center-to-Left/Right (roll)
 - 11: IMplode: Corners-to-Center (implode)
 - 12: BLIND: L \rightarrow R: Left-to-Right (blind)
 - 13: CROSS FADE: Cross Fade
 - 14: RANDOM: Random from above 13 transition modes
- a AUTO START:
 - Selecting ON: will automatically start, after power on, to playback all contents (photos, music, movies files) stored in DivX Player sequentially, in an alphabetical order on the filenames.
 - Selecting OFF: disables the automatic playback (after power on) of all contents (*factory default setting*)

Configuration

CONFIGURATION on system Setup Menu selects the following selections





- a TV TYPE:
 - Selecting MULTI. SYSTEM: will allow for automatic detection of the type of TV monitor (NTSC or PAL) and display the corresponding video accordingly (*factory default setting*)
 - Selecting NTSC: will fix the video output to NTSC mode
 - Selecting PAL: will fix the video output to PAL mode
- a VIDEO OUTPUT:
 - Selecting COMPOSITE: will output the video signal to Composite (RCA) connector (*factory default setting*)
 - Selecting S-VIDEO: will output the video signal to S-video connector
 - Selecting VGA: will output the video signal to VGA connector
- a OSD LANGUAGE:
 - Selecting ENGLISH: will display OSD in English language (*factory default setting*)
 - Selecting Chinese: will display OSD in Korean language
- a OSD MESSAGE: Selecting ON: Selecting OFF:
- a SETUP VALUES: [Caution] By selecting DEFAULT will set all settings previous made back to factory default setting values

Enjoy Photo Slide Show, Music and Movie from DivX Player

Now you can enjoy movie, music playback and photo slide show from DivX Player Media Player.

Photo Slide Show

- a Press PHOTO button on Remote Control, all photo files are shown in the Photo Digest



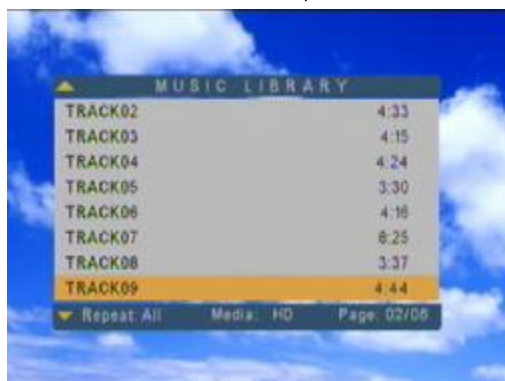
- ª Press Direction buttons to move through the Digest pages. Use PGUP or PGDN to jump to the previous or next page of Digests
- ª Press PLAY/PAUSE button to start photo slide show. When photo slide show is being displaying, press PLAY/ PAUSE button again to pause or resume playing; press STOP button can return back to Photo Digest
- ª Press S-TIME button one or several times to set suitable interval time in real time. It will change photo interval time immediately when photo slide show is being displaying,
- ª Press ROTATE button to change the rotation of displayed photo 90 degree clockwise
- ª Press REPEAT button to enable/disable (ON/OFF) folder repeat

Music Slide Show

- ª To initial Music Slide Show mode, it must press PHOTO button first to enter Photo Digest, then press M-SLIDE (Music Slide Show) button to initial Music Slide Show mode
- ª When music slide show is being played, press PLAY/PAUSE buttons to pause/resume music side show
- ª When music slide show is playing, press STOP button to stop slide show and return back to Photo Digest
- ª To change photo interval time immediately when photo slide show is being displaying, press S-TIME button one or several times to set suitable interval time in real time
- ª To change photo transition mode immediately when music slide show is being displaying, press S-Mode button one or several times to set suitable transition mode in real time
- ª Press REPEAT button to enable/disable (ON/OFF) folder repeat
- ª Press MUTE button to turn off/on music while music slide show is being played

Music Playback

Press MUSIC button on Remote Control, all music files are shown in the Music Library



- a Press Direction buttons to move through the music library page. Use PGUP or PGDN to jump to the previous or next page
- a Press ENTER button to play selected music. Press ENTER button again will return back to Music Library
- a Press PLAY/PAUSE button to play selected music. Press PLAY/ PAUSE button again to pause or resume playing; press STOP button can return back to Music Library
- a Press REPEAT button to immediately change repeat mode. REPEAT ALL will repeat all music in Music Library sequentially
- a REPEAT ONE will repeat the selected music
- a REPEAT OFF will stop music when end of all music play
- a Press MUTE button to mute the music play
- a Press VOL+/VOL- buttons to adjust volume of music play

Music Slide Show

- a When music slide show is being played, press PLAY/PAUSE buttons will pause photo slide show stop on selected photo
- a When music slide show is playing, press STOP button to stop music slide show and return back to Photo Digest
- a To change photo interval time immediately when photo slide show is being displaying, press S-TIME button one or several times to set suitable interval time in real time
- a To change photo transition mode immediately when music slide show is being displaying, press S-Mode button one or several times to set suitable transition mode in real time
- a Press MUTE button to turn off/on music while music slide show is being played

Movie Playback

Press MOVIE button on Remote Control, all movie files are shown in the Movie Digest



- a Press Direction buttons to move through the Digest page. Use PGUP or PGDN to jump to the previous or next page of Digests
- a Press ENTER button to playback selected movie in full screen size. Press ENTER button again will return back to Movie Digest
- a Press PLAY/PAUSE button to start movie show. When movie show is being playback, press PLAY/ PAUSE button again to pause or resume playing; press STOP button can return back to Movie Digest
- a Press MUTE button to mute the audio
- a Press VOL+/VOL- buttons to adjust volume of audio

DivX Player Movie Playback with Subtitle

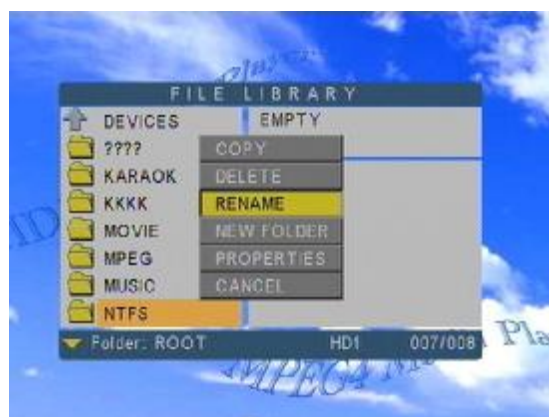
Play DivX Player movie with desired subtitle language, press FILE button on Remote Control first.



Press Enter or SUB-T button when Hero-English subtitle is selected. Then, when DIVX PLAYER SUBTITLE Selected is shown on the top of screen, it means Hero-English subtitle is already selected and done

File Library

- Press FILE button on Remote Control, all files are shown in the File Library



- Simply press Direction buttons to move through directories in the file library.
- Press ENTER button to playback selected file.
- Press STOP button will return back to File Library
- Press RIGHT button do copy, rename, delete files (only on FAT system)

Software Upgrade

- a First connect usb, copy firmware file to hdd.
- a Press Direction buttons to move through the file library to find the desired new software being upgraded.



- a Press YES. If want to exit software upgrade, press NO
- a After press YES, software upgrade is under processing. Several warning messages will be shown below



- a After new software upgrade is finished, a message will be shown below



- a New firmware upgrade is finished , DivX device auto restart.